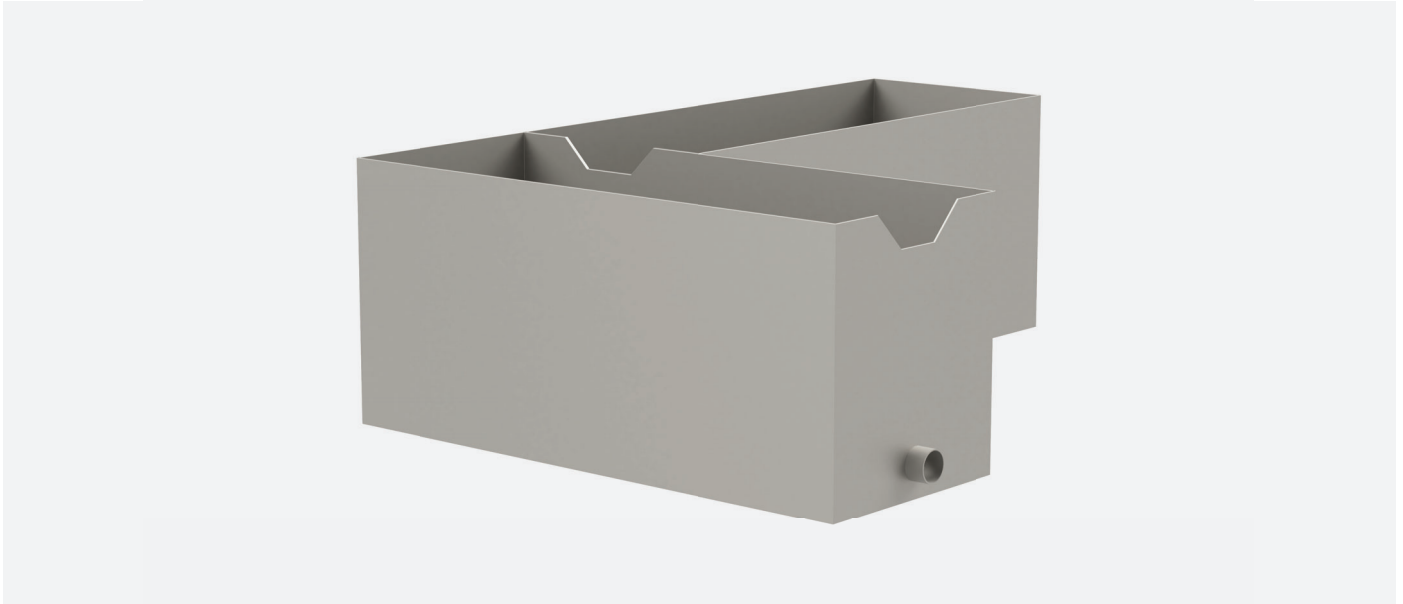


6105 192nd St. NE, #2
Arlington, WA 98223

360.502.6344
info@architerradesigns.com



Available for unique and customized applications using standard noninfiltrating or infiltrating style planters. Examples include large/custom shapes, cascading/terraced cells, linked cells through under drains, runnels, etc.

DESIGN

Custom Sizes

- Up to L20' W8' H5'+
- Available in modular sections

Material

- Aluminum - .125" - .500"+ thick Grade 5052-H32
- Corten Steel - .125" - .500"+ thick Grade A588/A606

Placement

- On Grade
- On Structure

Top Styles

- Straight sides
- Flange (standard)

Finishes

- Standard powder coating - Aluminum only
- RAL powder coating - Aluminum only
- Natural Rust - Steel only

FUNCTION

Drain Port Gasket

- 4" SCH 40 pipe removable gasket (std.)
- 6" SCH 40 pipe removable gasket

Drainage Components

- 4" SCH 40 perforated under drain, dwv fittings, overflow, and accessories
- 6" SCH 40 perforated under drain, dwv fittings, overflow, and accessories

Splash Block

- 12x12" open-bottomed box to contain rock
- Custom option

Weir/Overflow

- Notched weir on side of planter wall
- Adjustable weir
- Atrium Grate
- Flow control orifice on pipe discharge

Level Spreader

- Modular dispersion device in sections W4"x H4" lengths 2',4',6',8'
- Custom shape and length

Runnel

- Decorative channel to convey water over longer distances

Scupper/Spout

- Variety of styles for different design effects and functional uses

Geosynthetic Fabrics

- Geosynthetic fabric for drainage and coating protection

Custom Options

- Custom options for site specific design and functional challenges

Media

- Biofiltration Media, Aggregate, and mulch available in bulk

**Standard planter includes basin and drain port. All joints formed or welded and ground smooth. Custom sizing, shapes, and finishes available.*

FEATURES and OPTIONS
Leveling Feet with Swivel Head

- Standard 0-3" 200 lbs. cap.
- Heavy Duty 0-3" 1000 lbs. cap.
- Custom 0-6" 5000 lbs. cap.

Lighting

- Integral wall wash/step lighting
- LED face light
- LED toe kick light

Irrigation/Conduit Port

- 1"- 4" diameter pipe gasket for irrigation, conduit, or other utility

Plant Anchor Tie Off

- Integral tie off points to allow for attachment of stabilizing cables for root balls, or guy wires

Custom Design Elements

- Custom design options for adding your logo, address, or other unique design elements

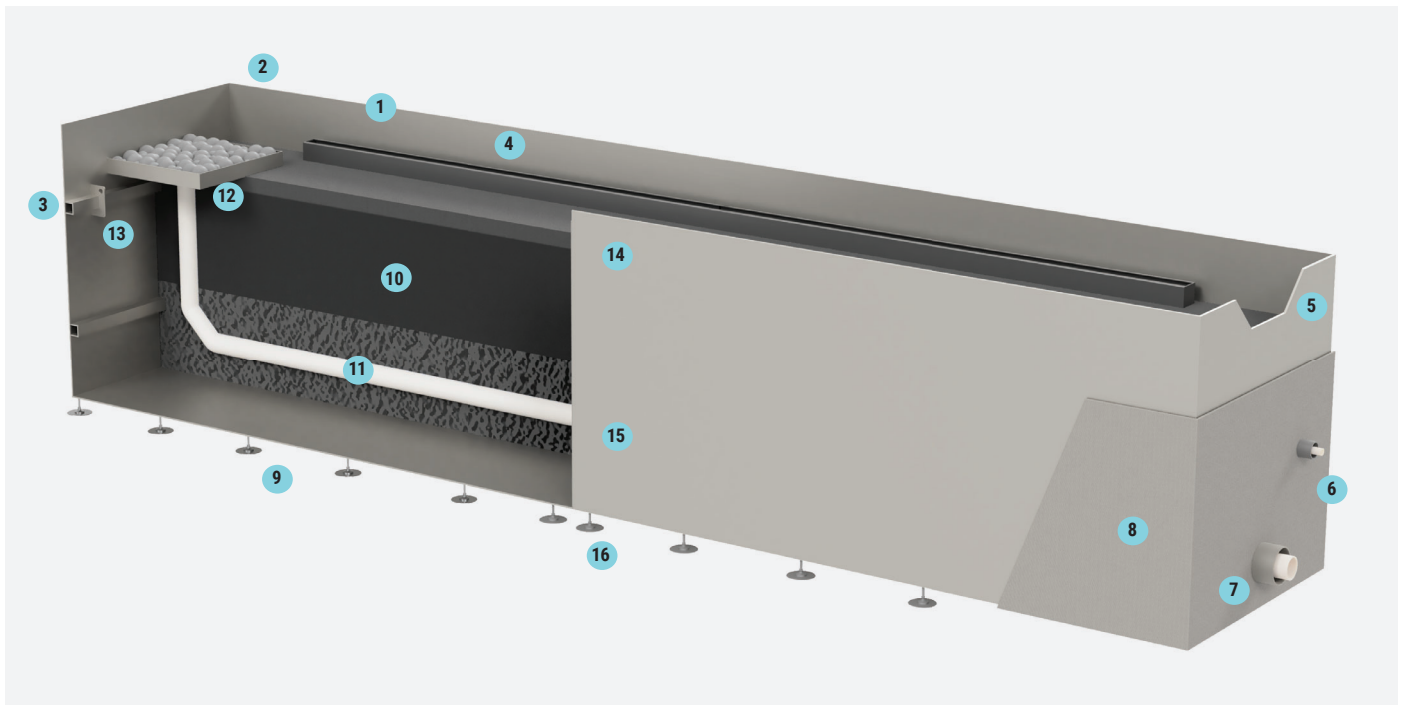
TO SPECIFY

1. Select product, size, material
2. Select product placement, styles and finish
3. Select product-specific options

Refer to options section in catalog and specifications for standard and custom options. For questions, help specifying a product, or to place an order please contact an Architerra sales representative

Shipping

Recuro planters ship empty. Components ship loose. Media ships in super sacks. Products are fabricated, finished, and shipped from Arlington, WA.


Components

- | | |
|---|--|
| <ol style="list-style-type: none"> 1. Powder coated aluminum or weathering steel .125"- .500"+ thick 2. All joints formed or welded and ground smooth 3. Structural bracing as necessary 4. Level spreader for larger discharge areas 5. Overflow weir for larger discharge areas 6. Irrigation or conduit ports with removable watertight gasket 7. Drain discharge port with removable watertight gasket. Std. 4"+ diameter pipe 8. Geosynthetic fabric for drainage and coating protection | <ol style="list-style-type: none"> 9. Leveling feet 10. Mulch, biofiltration soil, and aggregate 11. Slotted/perforated under drain and components 12. Splash block, or optional pre-settling device/catch basin 13. Pick point for hoisting 14. Standard sizes up to L12' x W 8' and custom sizes up to L20' x W8' 15. Standard heights 3'- 5'+ 16. Can be set on structure or compacted gravel base or concrete slab |
|---|--|

Notes:

- Engineering services available for structural or civil needs
- Available in infiltrating or non infiltrating models
- Certified by the Washington State Department of Ecology as a functional equivalent technology
- Available as individual cells or as complete packages for turnkey installation
- Can be set below grade and built to withstand potential point loads from adjacent infrastructure